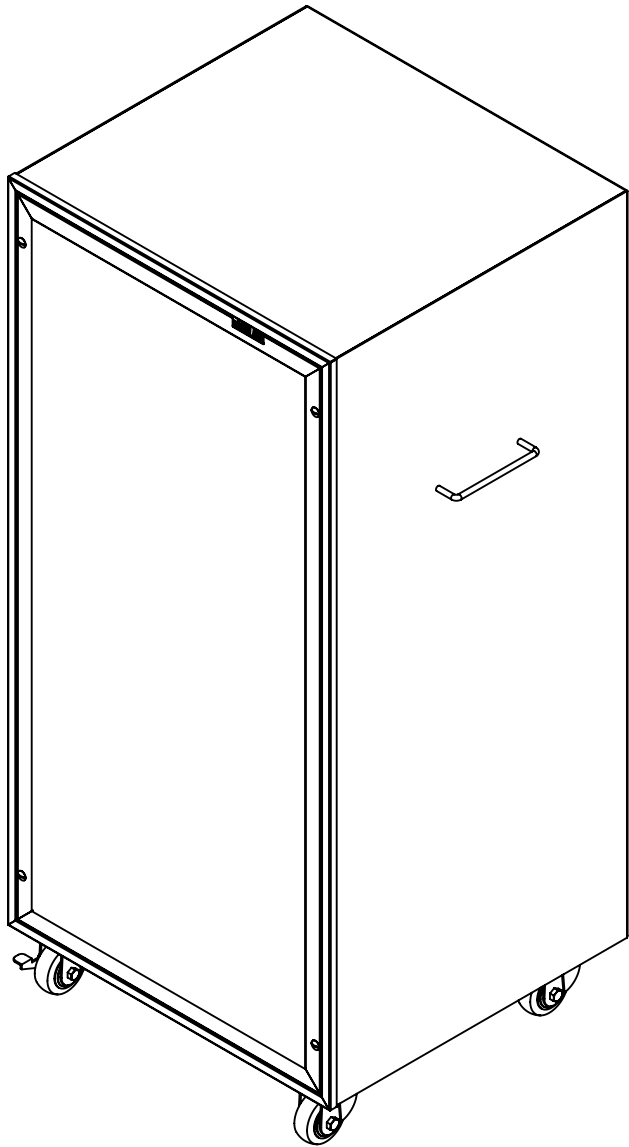


# FFDXRA-MC

FAN FILTER UNIT - REVERSE FLOW  
MOBILE Cart



## STANDARD OPTIONS

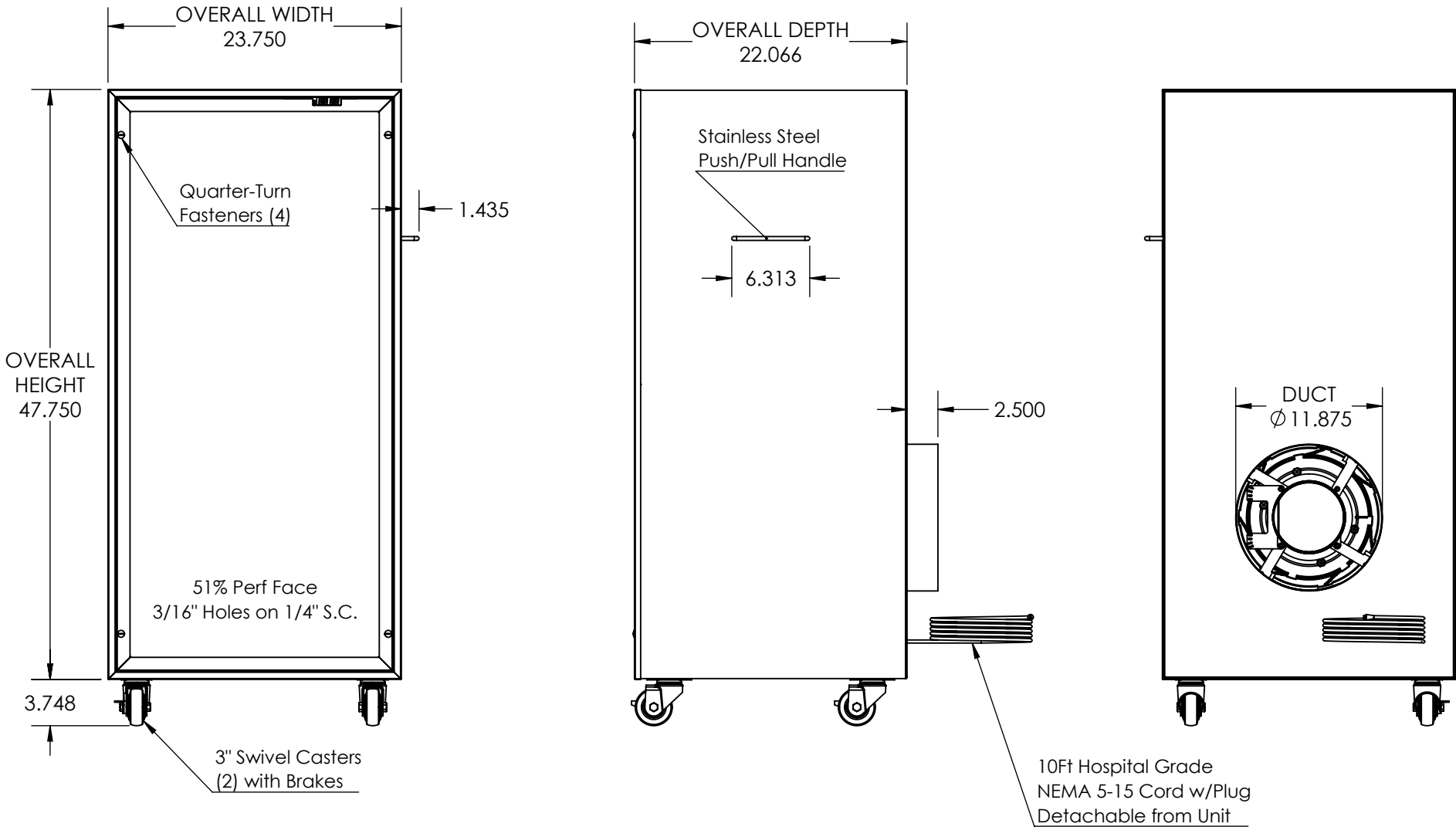
- 304 Stainless Steel
- #4 Satin Finish
- 51% Perf Face
- Pre-Filter
- HEPA Filter - 99.99% on 0.3µm
- Round Duct Collar Kit
- Push/Pull Handle
- 4 Swivel Casters - (2) with Brakes
- 120VAC Motor
- 10Ft Hospital Grade Cord w/Plug
- Adjustable Face Control
- Constant Speed



DRAWN SLG	MATERIAL 304SS	JOB NAME	TAG	QTY	REV #
CHKD RH	FINISH #4 SATIN	ENGINEER	DRAWING NAME 032520-162		SHT 1/3 SCL 1:10
APRVD	SIZE 48 x 24	CONTRACTOR	DO NOT SCALE		

# FFDXRA-MC

FAN FILTER UNIT - REVERSE FLOW  
MOBILE Cart

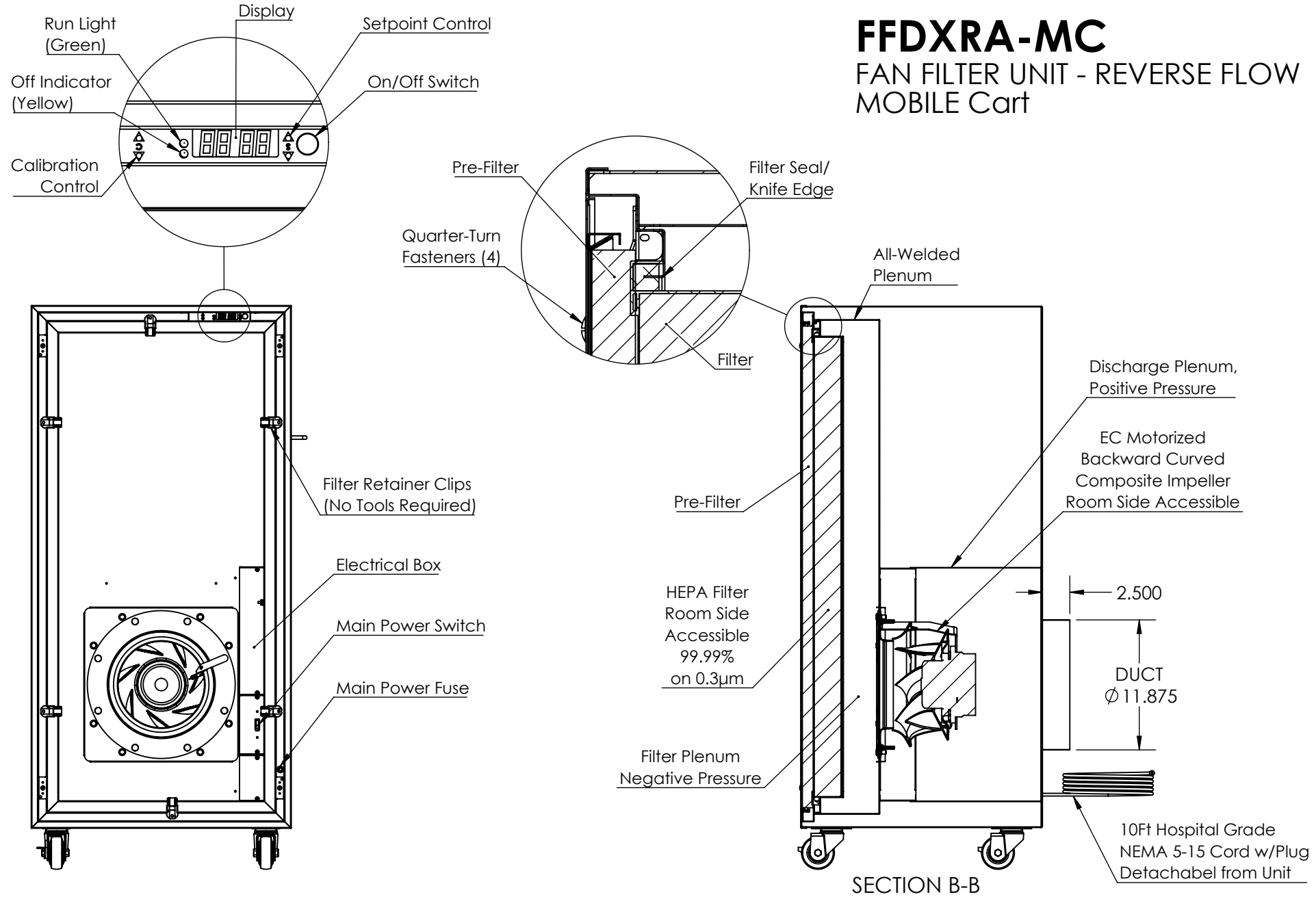


DRAWN SLG	MATERIAL 304SS	JOB NAME	TAG	QTY	REV #
CHKD RH	FINISH #4 SATIN	ENGINEER	DRAWING NAME 032520-162		SHT 2/3
APRVD	SIZE 48 x 24	CONTRACTOR			SCL 1:12
					DO NOT SCALE

# FFDXRA-MC

## FAN FILTER UNIT - REVERSE FLOW

### MOBILE Cart



SECTION B-B



DRAWN SLG	MATERIAL 304SS	JOB NAME	TAG	QTY	REV #
CHKD RH	FINISH #4 SATIN	ENGINEER	DRAWING NAME 032520-162		SHT 3/3
APRVD	SIZE 48 x 24	CONTRACTOR			SCL 1:12
					DO NOT SCALE

# FFDXRA-MC

FAN FILTER UNIT - REVERSE FLOW  
MOBILE Cart

## PERFORMANCE DATA

STANDARD FLOW FILTER, AT 0 STATIC, 120VAC			
Setpoint	CFM	CFM/ Sq Ft	Watts
100%	785	151	218
90%	687	132	164
80%	563	108	110
70%	454	87	76
60%	350	67	46
50%	272	52	30
40%	174	33	17
30%	98	19	12
20%	34	7	8

STANDARD FLOW FILTER, AT 0 STATIC, 208-277VAC			
Setpoint	CFM	CFM/ Sq Ft	Watts
100%	950	183	345
90%	850	163	262
80%	729	140	184
70%	590	113	122
60%	454	87	76
50%	334	64	43
40%	237	46	25
30%	134	26	14
20%	55	11	8



DRAWN SLG	MATERIAL 304SS	JOB NAME	TAG	QTY	REV #
CHKD RH	FINISH #4 SATIN	ENGINEER	DRAWING NAME 032520-162		SHT 3/3
APRVD	SIZE 48 x 24	CONTRACTOR			DO NOT SCALE